

NEW



# Portrol 401

*Portable electric equipment  
for the controlled tube expansion*

CE

MADE IN ITALY



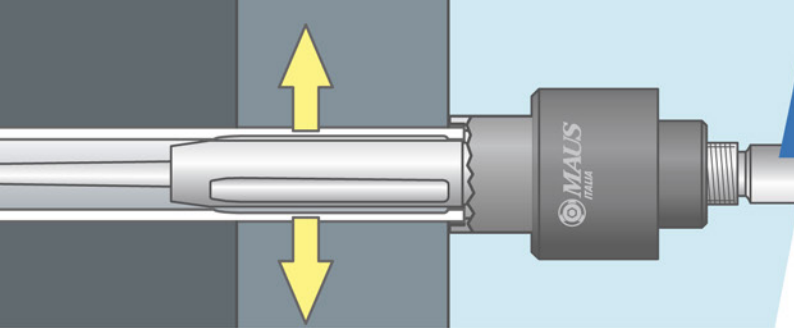
## Portrol401

*For quality work where  
maximum portability is required*

MAUS ITALIA presents the **Portrol401**, extremely easy to handle with a **high level of quality**.

Easy to **move with its own wheeled case**, the **Portrol401** and the 400 Volt-triphas **PR1000** tube roller ensure **a fast system setup and short time for working parameter programming** via its display interface.





## Portrol401

Portable electrical equipment for the controlled rolling of tubes with an external Ø diameter from 1/2" up to 1.3/4" (from 12.7 to 44.4 mm).



400 V three-phases system

Portable - Value for money - Easy to move

## Standard supply

- Portable controller **Port401**
- **PR1000** series tube rolling motor
- Quick coupling **F314HS-3/8"** or **F314HS-1/4"**
- Remote magnetic emergency stop button
- Instruction manual
- 2No. wheeled cases for moving



User-friendly.

### Advanced functionality with display

The SIEMENS® LOGO! TDE control panel ensures the controller's practicality and efficiency. Access to all parameters by operators is extremely easy.



High safety

### Electromagnetic compatibility and isolation

Thanks to the isolated controls on the motor, the **Portrol401** meets the common regulations for electromagnetic compatibility and isolation ensuring the operator's safety when using the equipment in confined spaces and indoors or in the presence of large metal masses.

# Port401

## Portable electronic controller for the rolling of tubes

Designed to be used in conjunction with **PR1000** series rolling motors it is compact and lightweight.

Thanks to the integrated SIEMENS LOGO! TDE panel with LED backlighting, programming of parameters is quick and easy.



Repeatability  $\pm 5\%$

High quality

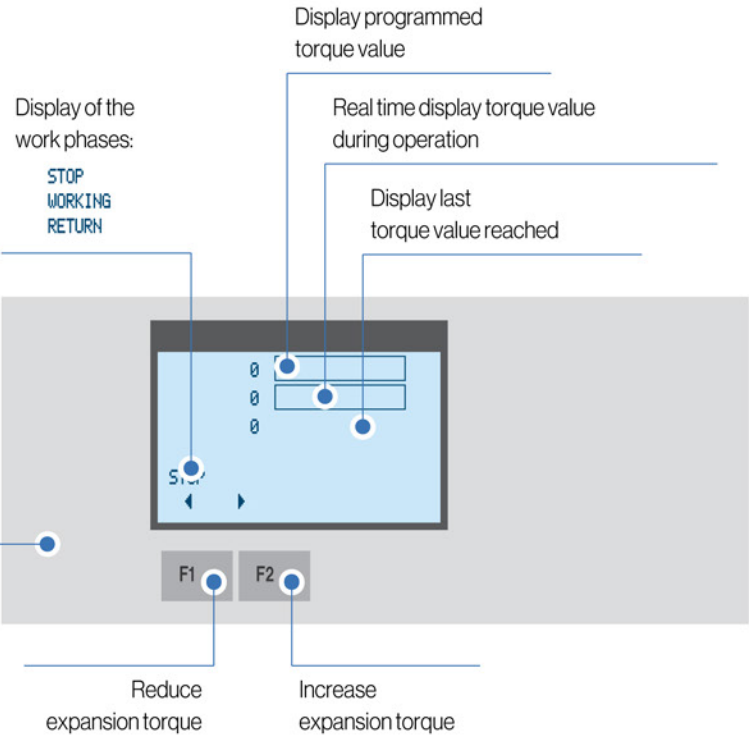


User-friendly.

### Operator panel with display

The interface is where settings and work parameters of the controller and motor are programmed.

### Stop/emergency button



Maximum portability • Only 13 Kg (28Lb) • Maximum portability



Main switch

Start/reset button

Rolling motors balancer button

Used in combination with a dead man's button on the tube roller during the initial calibration and zeroing of the rolling torque.



## PR1000

### Portable electric 400 V - Three-phases rolling motors

Designed to be used in combination with the **Port401** electronic controller

Thanks to its external PVC casing, as well as being extremely robust, it also complies with strict insulation standards.

Proposed for the rolling of tubes, it can also be used for cutting and end-facing tubes.

Red ■ button  
"STOP" - dead man's button

Black ● button  
Reversal of the rotation of the motor  
and the consequent release of the  
mandrel at the end of the expansion.

Green ● button  
"START"



Reliable

Robust



**F314HS**

Double female quick  
coupling fitting for high  
speeds



**NO VIBRATIONS**



■ Class II  
Double insulation

**CE** In accordance with the European  
technical standards on safety  
of portable power tools:  
EN 60745-1 • EN 60745-1/A1  
EN 60745-2-1 • EN 60745-2-2

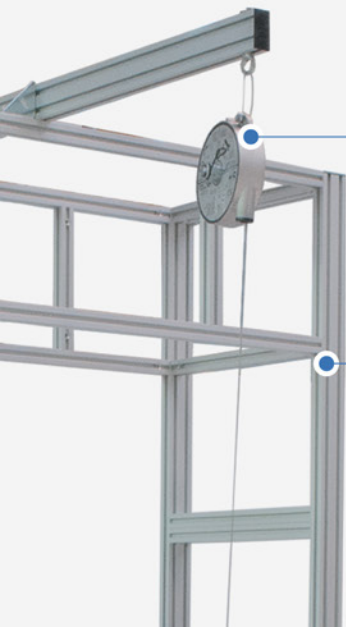
## Optional

### TPB-2A

Optional balancer for  
weights from 8 to 10 kg  
(da 17.6 a 22.0 Lb)

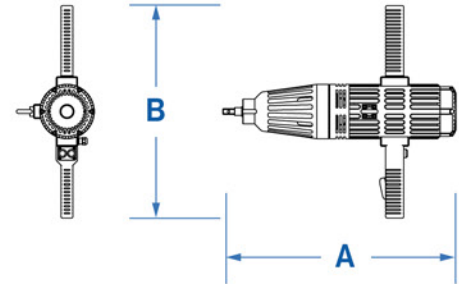
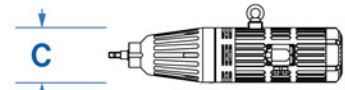
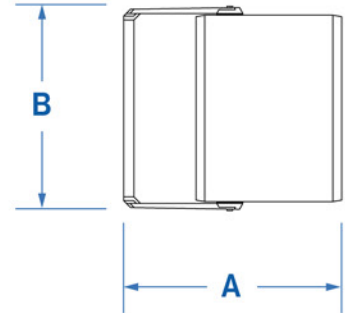
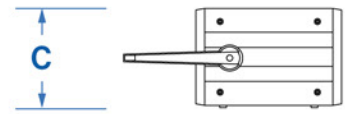
### Porterbasic

Optional carriage for  
support of the tube rolling  
motors machine



## Port401

Power supply		
Voltage - phase	V - ph	380/415 - 3
Max Ampere	A	2,5
Frequency	Hz	50/60
Absorbed power	Kw / A	1,0
Dimensions		
Length (depth)	<b>A</b> mm (inches)	450 (17.7)
Width (with handle)	<b>B</b> mm (inches)	420 (16.5)
Height	<b>C</b> mm (inches)	210 (8.3")
Weight	kg (lb)	13 (28.7)
Level of protection	IP	32
Chassis colour	RAL	7030 - 7035
Shipping		
Size	cm (ft)	53x70x30 (1.74x2.30x0.98)
Total weight	kg (lb)	22 (48.50)



50Hz

## PR1000

**PR1000-4    PR1000-5    PR1000-7    PR1000-10    PR1000-15**

Work capacity						
Speed	RPM	750	600	430	300	200
Max torque	Nm (Ft.lb)	12(8.85)	15(11.06)	22(16.22)	30(22.12)	40(29.50)
> Ø tubes max.(ext.) Ferrous	mm (inches)	12,7(1/2")	19,0(3/4")	22,2(7/8")	25,4(1")	31,8(1.1/4") <
> Ø tubes max.(ext.) Non Ferrous	mm (inches)	19,0(3/4")	22,2(7/8")	31,8(1.1/4")	38,1(1.1/2")	44,4(1.3/4") <
Supplied fittings		F314 HS-3/8"	F314 HS-3/8"	F314 HS-3/8"	F314 HS-3/8"	F313-1/2"
Power supply						
Motor voltage	<input checked="" type="checkbox"/> Class II Double insulation Volt - Ph	400 - 3	400 - 3	400 - 3	400 - 3	400 - 3
* Frequency	Hz	50	50	50	50	50
Power	kW	1,0	1,0	1,0	1,0	1,0
Dimensions						
Length	<b>A</b> mm (inches)	480 (18.9)	480 (18.9)	480 (18.9)	480 (18.9)	505 (19.9)
Width (with handles)	<b>B</b> mm (inches)	450 (17.7)	450 (17.7)	450 (17.7)	450 (17.7)	450 (17.7)
Height (without eyebolts)	<b>C</b> mm (inches)	115 (4.5)	115 (4.5)	115 (4.5)	115 (4.5)	115 (4.5)
Weight	kg (lb)	9,5 (21)	9,5 (21)	9,5 (21)	9,5 (21)	10,0 (22)
Level of protection	IP	32	32	32	32	32
Colour		Black	Black	Black	Black	Black
Shipping						
Size	cm (ft)	53x70x30 (1.74x2.30x0.98)				
Total	kg (lb)	21 (46.30)				
Total weight						

\*

60Hz

Available also for frequency of 60Hz (approx +20% of speed approx -20% of torque)

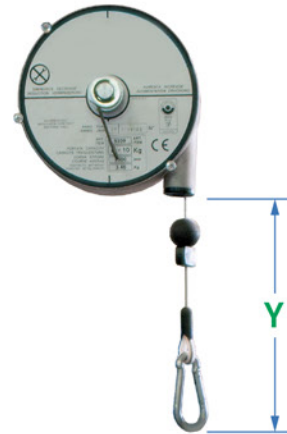
## F314HS

		F314HS-1/4"	F314HS-3/8"
<b>Dimensions</b>			
∅F	(inches)	1/4	3/8
Weight	kg (lb)	0,18 (0.40)	0,21 (0.46)
Colour		Black	Black



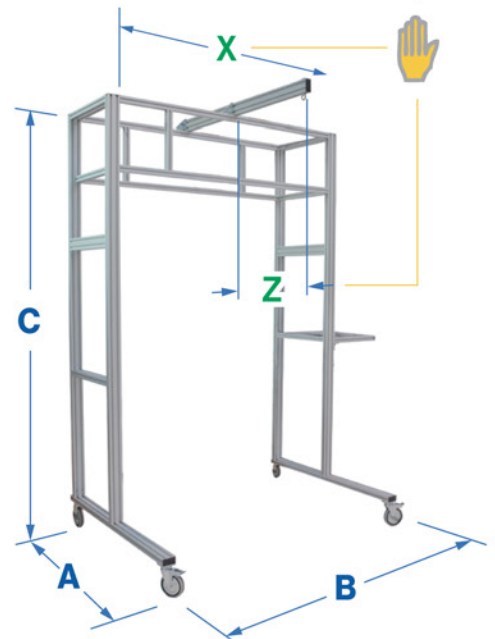
## TPB-2A

<b>Work capacity</b>			
Supported weight	kg (lb)	10 (22.0)	
X axis - vertical stroke	Y mm (inches)	2500 (98.5)	
<b>Dimensions</b>			
Diameter	mm (inches)	180 (7.1)	
Width (thickness)	mm (inches)	90 (3.5)	
Weight	kg (lb)	3,5 (7.7)	
Colour		Silver - Black	



## Porterbasic

<b>Work axes</b>			
X axis	X	Movement	manual sliding
Z axis	Z	Movement	manual sliding
<b>Work capacity</b>			
Supported weight	kg (lb)	40 (88)	
<b>Dimensions</b>			
Length (depth)	A mm (inches)	1200 (47.2)	
Width	B mm (inches)	1600 (63.0)	
Height	C mm (inches)	2600 (102.3)	
Weight	kg (lb)	70 (155)	
Colour		Anodised aluminium	





MAUS ITALIA S.P.A.  
SP415 KM30 (nuova strada di arrocco)  
26010 BAGNOLO CREMASCO (CR)  
ITALIA

Tel. +39 0373 2370  
[expo@mausitalia.it](mailto:expo@mausitalia.it)



© 2020 Maus Italia, all rights reserved.

*The reported technical data may vary at any time without notice.  
This document is to be considered purely indicative and does not constitute a product offering.*